

ERENDREU

MAQUINARIA AGRICOLA



Professional
LINE

FALCON 2.0

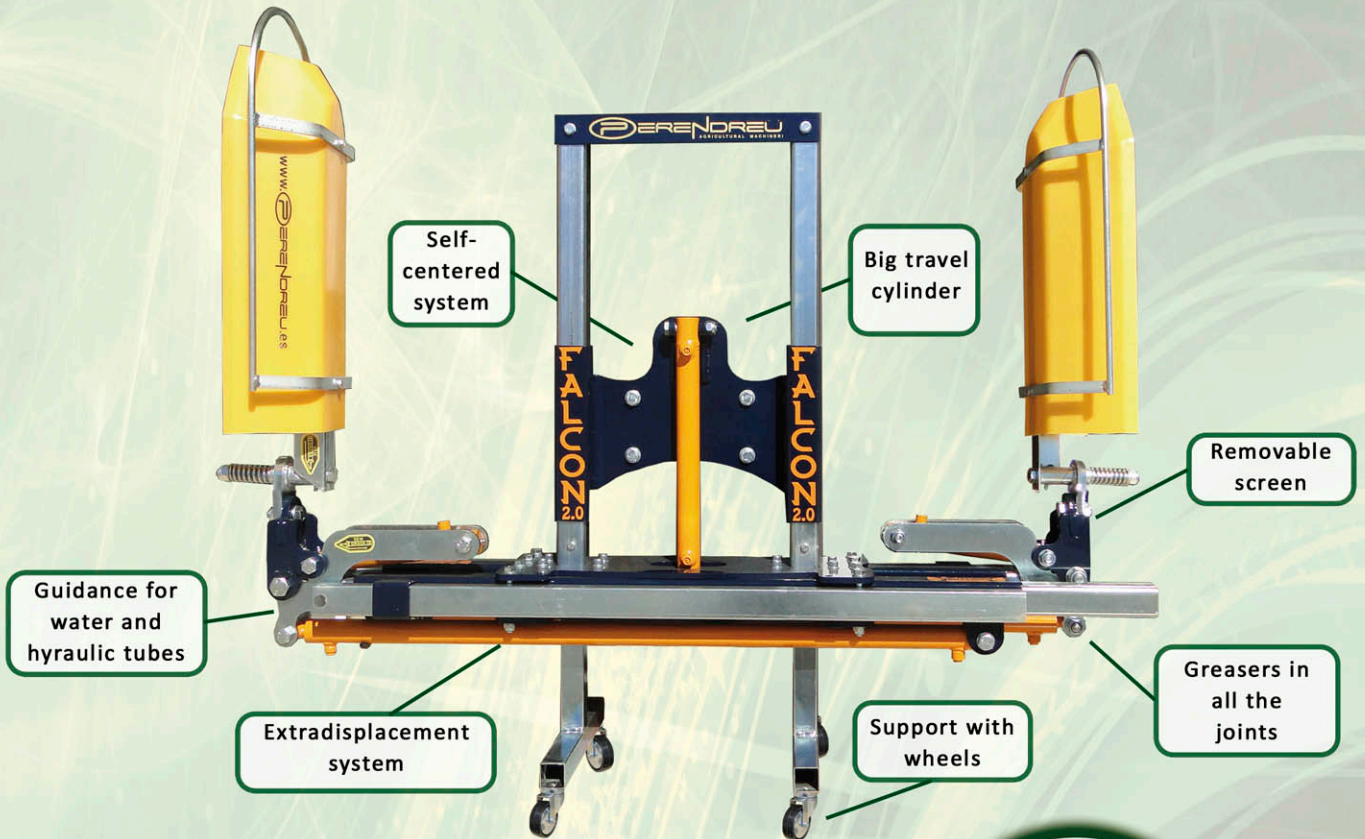


FALCON 2.0

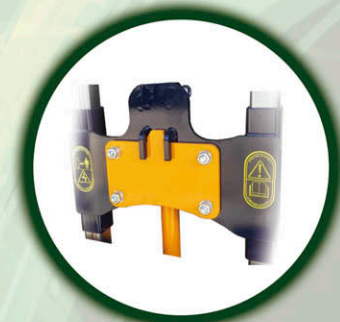
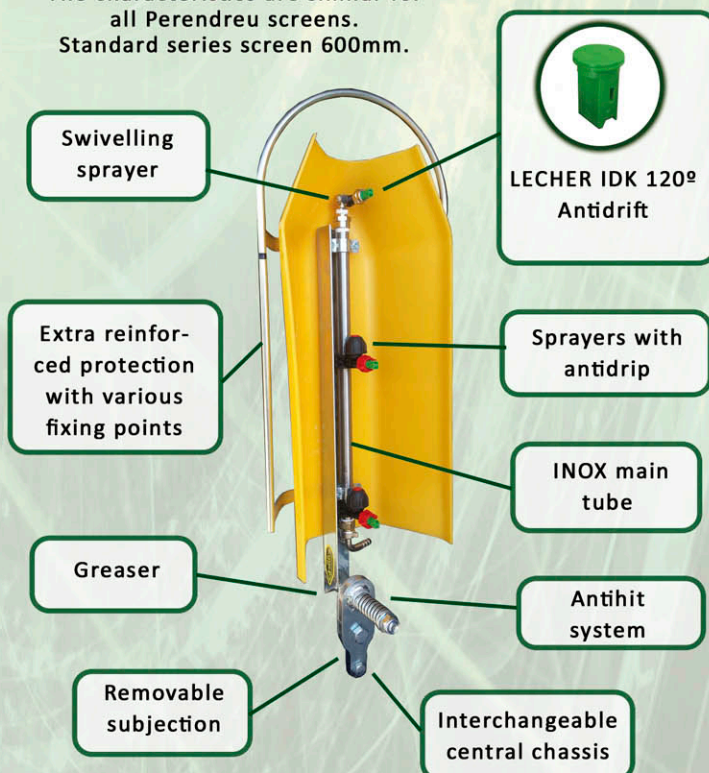
HYDRAULIC

- PERENDREU SL offers this wide range of herbicide arms FALCON 2.0 with a unique features in the market. The chassis of the machine its extra reinforced and have a manual extra displacement system, self-centering system for the hitch, guidance system for the hydraulic and water tubes, greasers in all the joints, trestle with standard wheels and high quality 60mm screens. Special design that has the characteristic of being able to replace any of its parts easily.

FALCON 2.0



The characteristics are similar for all Perendreu screens. Standard series screen 600mm.



EASY COUPLING NEW SYSTEM
Automatic system of centered for the fixing screws



CONTINUOUS TENSION NEW SYSTEM
Continuous tension system in our arms range with extension/tilt combined cylinder.

HERBICIDE BARS 2.0

FALCON 2.0



HER000200

FALCON 2.0 -2P



x2



HER000400

FALCON 2.0 -3P-1L



x3

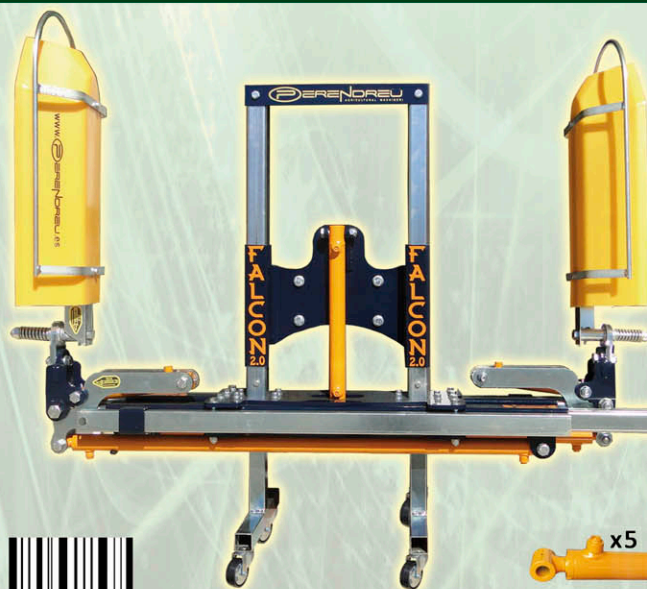


HER000600

FALCON 2.0 -4P-2L



x4



HER000700

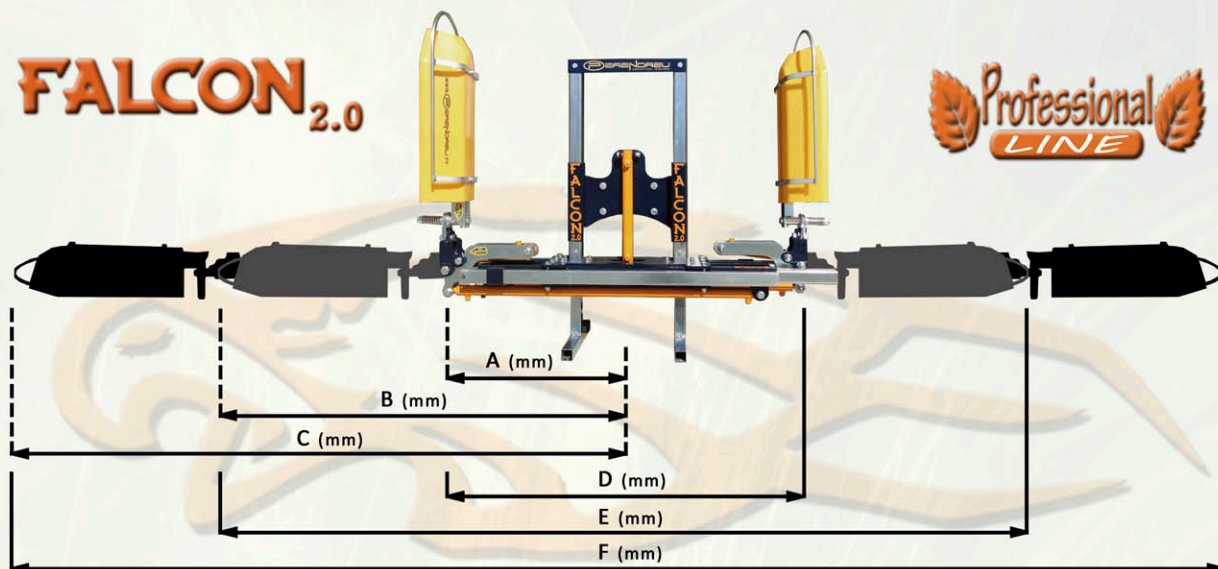
FALCON 2.0 -5P-2L

FALCON 2.0



FALCON_{2.0}

Professional
LINE



The dimensions correspond to the 600mm standard screen.

REFERENCIA	A	B	C	KG	REFERENCIA	D	E	F	KG
HER00100-2	720	1500	2200	32	HER00500-2	1440	3000+160	4400+160	116
HER00100-3	820	1600	2500	38	HER00500-3	1640	3200+560	5000+560	128
HER00200-2	685	1485	2285	36	HER00600-2	1400	2990+160	4490+160	120
HER00200-3	785	1585	2585	40	HER00600-3	1600	3190+560	5090+560	130
HER00300-2	720	1500+80	2200+80	84	HER00700-2	1370	2970+160	4570+160	124
HER00300-3	820	1600+280	2500+280	90	HER00700-3	1570	3170+560	5170+560	132
HER00400-2	685	1485+80	2285+80	88					
HER00400-3	785	1585+280	2585+280	92					

The dimensions (+) correspond with the extra displacement manual system.

OFFER:

DISTRIBUTOR:

PERENDREU

AVDA. 27 DE GENER 1-C AITONA (LLEIDA) SPAIN
 TEL/FAX: (+34) 973794350
 MAIL: info@perendreu.es
 www.perendreu.es